

RM 12 Power

Ferrite Transformers

Dati tecnici / Technical data

Conformità norme EN 61558 / EN 61558 approved
 Marchio CE; classe B / CE mark; class B
 Ferriti marcate / Marked ferrites
 Tensione di isolamento 3750 VAC / Insulation voltage 3750 VAC
 Frequenza nominale fino a 500KHz / Nominal frequency up to 500KHz
 Temperatura ambiente 40 °C / Ambient temperature 40 °C
 Conforme alla direttiva RoHS / RoHS conform
 Grado di protezione IP00 / Degree of protection IP00
 Rocchetto singola camera / Single chamber coilformer
 Avvolgimenti in rame smaltato classe H / Class H enamelled copper wire coils
 Immersione in vernice / Dipping in varnish
 Test elettrici sul 100% della produzione / 100% tested production

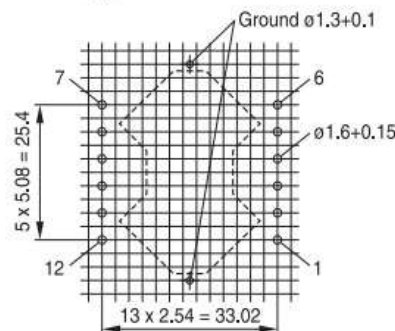
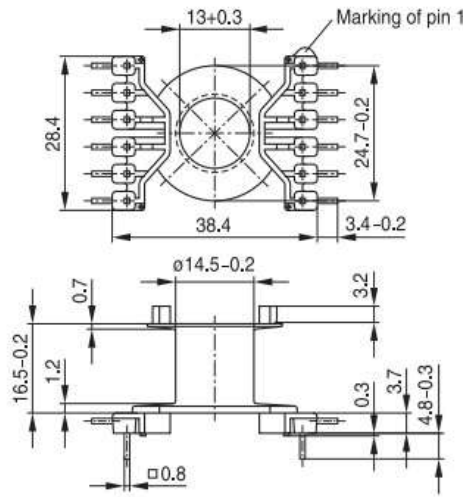
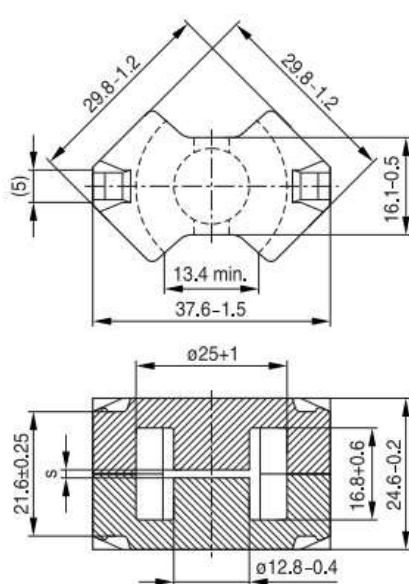


Trasformatori in ferrite RM12 Power - RM12 Power ferrite transformers

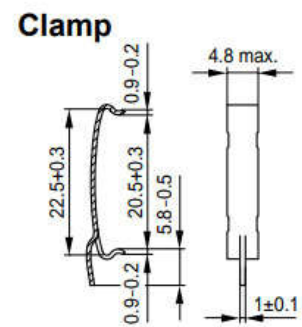
Code	Model	Frequency Hz	Number of windings	External shield	Mounting	UL materials	Potting	N. Pins	Weight Gr
On request	RM12 Power	Up to 500KHz	On request	On request	Horizontal	Yes	On request	12	60

Su richiesta anche rocchetti a doppia camera / Double chamber coil former also available on request
 Diametro di foratura PCB consigliato almeno 1.5mm / Recommended PCB drilling diameter at least 1.5mm

Dimensioni fisiche in mm / Physical dimensions in mm



Dimensions 37.6 x 45.2 x h 24.6
 (with clamps) 38.8 x 45.2 x h 24.6



Hole arrangement
 View in mounting direction
 (Note half pitch!)

RM12 Power



Via Costamagna 8/A - 12037 SALUZZO (Cn) - ITALY
 Phone +39 0175 249400 / +39 0175 217215 - Fax +39 0175 249814

www.italtras.com italtras@italtras.com

Italtras®