

TRG EI96

Rack Transformers 85 –160VA

Dati tecnici / Technical data

Conformità norme EN 61558-UL 5085 / EN 61558-UL5085 approved

Marchio ENEC; classe B / ENEC mark; class B

Marchio cURus (UL+CSA); classe A / cURus mark; class A

Tensione di isolamento 3750 VAC / Insulation voltage 3750 VAC

Frequenza nominale 50/60 Hz / Nominal frequency 50/60 Hz

Temperatura ambiente 40 °C / Ambient temperature 40 °C

Conforme alla direttiva RoHS / RoHS conform

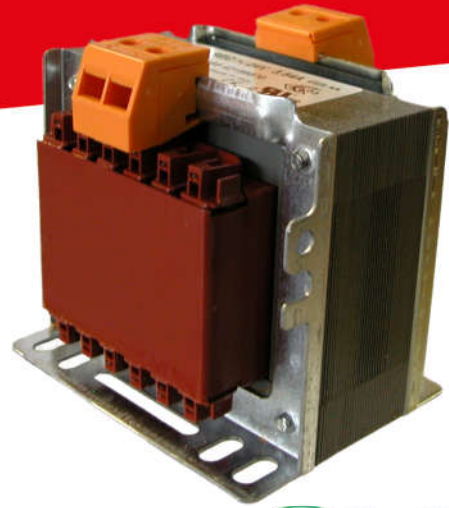
Grado di protezione IP00 / Degree of protection IP00

Rocchetto a doppia camera / Two chambers coilformer

Avvolgimenti in rame smaltato classe H / Class H enamelled copper wire coils

Vernice isolante / Finishing varnish

Test elettrici sul 100% della produzione / 100% tested production

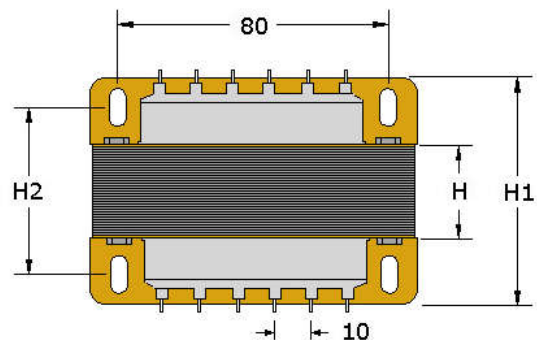
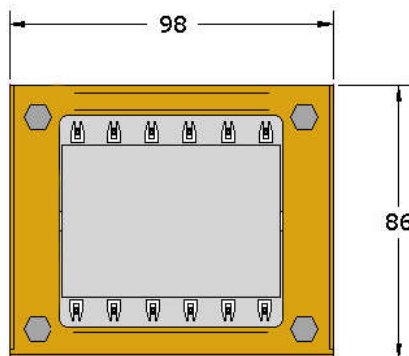


85VA EI 96/32 H1=75mm - Weight 2 Kg			94VA EI 96/35 H1=78mm - Weight 2.25Kg			102VA EI 96/38 H1=81mm - Weight 2,45Kg			108VA EI 96/40 H1=83mm - Weight 2,58Kg		
Pins Code	1-6 Pri (V)	8-11 Sec(V)	Pins Code	1-6 Pri (V)	8-11 Sec(V)	Pins Code	1-6 Pri (V)	8-11 Sec(V)	Pins Code	1-6 Pri (V)	8-11 Sec(V)
42170901	230	6	42171201	230	6	42171501	230	6	42171701	230	6
42170911	230	9	42171211	230	9	42171511	230	9	42171711	230	9
42170921	230	12	42171221	230	12	42171521	230	12	42171721	230	12
42170931	230	15	42171231	230	15	42171531	230	15	42171731	230	15
42170941	230	18	42171241	230	18	42171541	230	18	42171741	230	18
42170951	230	24	42171251	230	24	42171551	230	24	42171751	230	24
On Request	115	6	On Request	115	6	On Request	115	6	On Request	115	6
On Request	115	9	On Request	115	9	On Request	115	9	On Request	115	9
On Request	115	12	On Request	115	12	On Request	115	12	On Request	115	12
On Request	115	15	On Request	115	15	On Request	115	15	On Request	115	15
On Request	115	18	On Request	115	18	On Request	115	18	On Request	115	18
On Request	115	24	On Request	115	24	On Request	115	24	On Request	115	24
Pins Code	1-6 Pri (V)	7-8 11-12 2xSec (V)	Pins Code	1-6 Pri (V)	7-8 11-12 2xSec (V)	Pins Code	1-6 Pri (V)	7-8 11-12 2xSec (V)	Pins Code	1-6 Pri (V)	7-8 11-12 2xSec (V)
42171001	230	2x6	42171301	230	2x6	42171601	230	2x6	42171801	230	2x6
42171011	230	2x9	42171311	230	2x9	42171611	230	2x9	42171901	230	2x9
42171021	230	2x12	42171321	230	2x12	42171621	230	2x12	42172001	230	2x12
42171031	230	2x15	42171331	230	2x15	42171631	230	2x15	42172501	230	2x15
42171041	230	2x18	42171341	230	2x18	42171641	230	2x18	42173001	230	2x18
42171051	230	2x21	42171351	230	2x21	42171651	230	2x21	42173501	230	2x21
On Request	115	2x6	On Request	115	2x6	On Request	115	2x6	On Request	115	2x6
On Request	115		On Request	115		On Request	115		On Request	115	
On Request	115		On Request	115		On Request	115		On Request	115	
On Request	115	2x21	On Request	115	2x21	On Request	115	2x21	On Request	115	2x21

Dimensioni fisiche in mm / Physical dimensions in mm

Su richiesta primario fino a 600V secondario fino a 480V (solo marchio cURus UL+CSA) / On request primary up to 600V secondary up to 480V (only cURus UL+CSA mark)

Su richiesta solo marchio CE ed ENEC: codice XXXXXXX0 / On request only CE and ENEC marks: code XXXXXXX0



85VA H=32; H1=52,2; H2=55mm
 94VA H=35; H1=57,1; H2=58mm
 102VA H=38; H1=62,2; H2=61mm
 108VA H=40; H1=67,1; H2=63mm

EI96 85-160VA



TRG EI96

Rack Transformers 85 –160VA

Dati tecnici / Technical data

Conformità norme EN 61558-UL 5085 / EN 61558-UL5085 approved

Marchio ENEC; classe B / ENEC mark; class B

Marchio cURus (UL+CSA); classe A / cURus mark; class A

Tensione di isolamento 3750 VAC / Insulation voltage 3750 VAC

Frequenza nominale 50/60 Hz / Nominal frequency 50/60 Hz

Temperatura ambiente 40 °C / Ambient temperature 40 °C

Conforme alla direttiva RoHS / RoHS conform

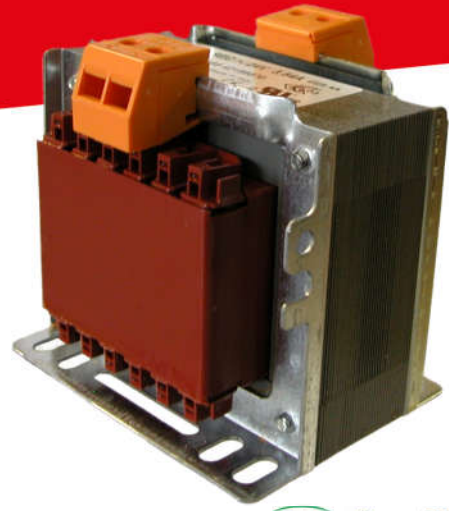
Grado di protezione IP00 / Degree of protection IP00

Rocchetto a doppia camera / Two chambers coilformer

Avvolgimenti in rame smaltato classe H / Class H enamelled copper wire coils

Vernice isolante / Finishing varnish

Test elettrici sul 100% della produzione / 100% tested production

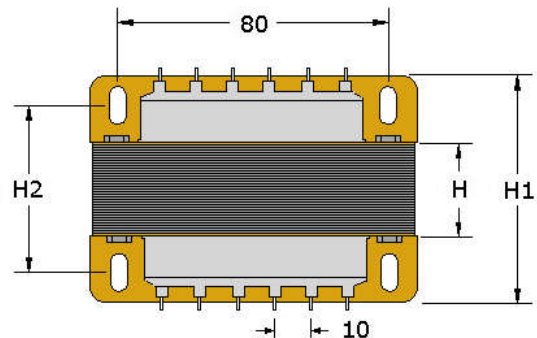
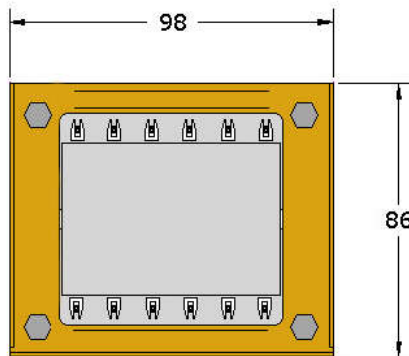


120VA EI 96/45			135VA EI 96/50			147VA EI 96/55			160VA EI 96/60		
H1=88mm - Weight 2.70Kg			H1=93mm - Weight 2.90Kg			H1=98mm - Weight 3.06Kg			H1=103mm - Weight 3.40Kg		
Pins Code	1-6 Pri (V)	8-11 Sec(V)	Pins Code	1-6 Pri (V)	8-11 Sec(V)	Pins Code	1-6 Pri (V)	8-11 Sec(V)	Pins Code	1-6 Pri (V)	8-11 Sec(V)
42174001	230	6	42175001	230	6	42179001	230	6	42179501	230	6
42174011	230	9	42175101	230	9	42179011	230	9	42179511	230	9
42174021	230	12	42175201	230	12	42179021	230	12	42179521	230	12
42174031	230	15	42175301	230	15	42179031	230	15	42179531	230	15
42174041	230	18	42175401	230	18	42179041	230	18	42179541	230	18
42174051	230	24	42175501	230	24	42179051	230	24	42179551	230	24
On Request	115	6	On Request	115	6	On Request	115	6	On Request	115	6
On Request	115	9	On Request	115	9	On Request	115	9	On Request	115	9
On Request	115	12	On Request	115	12	On Request	115	12	On Request	115	12
On Request	115	15	On Request	115	15	On Request	115	15	On Request	115	15
On Request	115	18	On Request	115	18	On Request	115	18	On Request	115	18
On Request	115	24	On Request	115	24	On Request	115	24	On Request	115	24
Pins Code	1-6 Pri (V)	7-8 11-12 2xSec (V)	Pins Code	1-6 Pri (V)	7-8 11-12 2xSec (V)	Pins Code	1-6 Pri (V)	7-8 11-12 2xSec (V)	Pins Code	1-6 Pri (V)	7-8 11-12 2xSec (V)
42174501	230	2x6	42176001	230	2x6	42179101	230	2x6	42179601	230	2x6
42174511	230	2x9	42176501	230	2x9	42179111	230	2x9	42179611	230	2x9
42174521	230	2x12	42177001	230	2x12	42179121	230	2x12	42179621	230	2x12
42174531	230	2x15	42177501	230	2x15	42179131	230	2x15	42179631	230	2x15
42174541	230	2x18	42178001	230	2x18	42179141	230	2x18	42179641	230	2x18
42174551	230	2x21	42178501	230	2x21	42179151	230	2x21	42179651	230	2x21
On Request	115	2x6	On Request	115	2x6	On Request	115	2x6	On Request	115	2x6
On Request	115		On Request	115		On Request	115		On Request	115	
On Request	115		On Request	115		On Request	115		On Request	115	
On Request	115	2x21	On Request	115	2x21	On Request	115	2x21	On Request	115	2x21

Dimensioni fisiche in mm / Physical dimensions in mm

Su richiesta primario fino a 600V secondario fino a 480V (solo marchio cURus UL+CSA) / On request primary up to 600V secondary up to 480V (only cURus UL+CSA mark)

Su richiesta solo marchio CE ed ENEC: codice XXXXXXX0 / On request only CE and ENEC marks: code XXXXXXX0



120VA H=45; H1=88; H2=68mm
 135VA H=50; H1=93; H2=73mm
 147VA H=55; H1=98; H2=78mm
 160VA H=60; H1=103; H2=83mm

EI96 85-160VA

