

TRG EI84

Faston Transformers 38 –108VA

Dati tecnici / Technical data

Conformità norme EN 61558-UL 5085 / EN 61558-UL5085 approved

Marchio ENEC; classe B / ENEC mark; class B

Marchio cURus (UL+CSA); classe A / cURus mark; class A

Tensione di isolamento 3750 VAC / Insulation voltage 3750 VAC

Frequenza nominale 50/60 Hz / Nominal frequency 50/60 Hz

Temperatura ambiente 40 °C / Ambient temperature 40 °C

Conforme alla direttiva RoHS / RoHS conform

Grado di protezione IP00 / Degree of protection IP00

Rocchetto a doppia camera / Two chambers coilformer

Avvolgimenti in rame smaltato classe H / Class H enamelled copper wire coils

Vernice isolante / Finishing varnish

Test elettrici sul 100% della produzione / 100% tested production

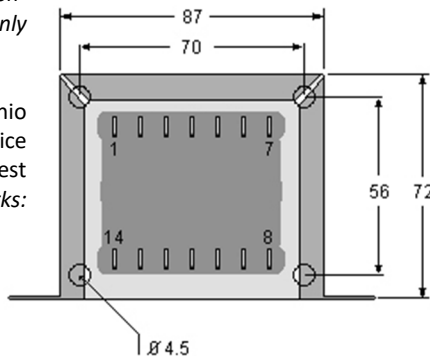


38VA EI 84/21 H1=75mm - Weight 1.1Kg			50VA EI 84/28 H1=82mm - Weight 1.33Kg			55VA EI 84/30 H1=84mm - Weight 1,43Kg			63VA EI 84/35 H1=89mm - Weight 1,63Kg		
Pins Code	1-6 Pri (V)	8-11 Sec(V)	Pins Code	1-6 Pri (V)	8-11 Sec(V)	Pins Code	1-6 Pri (V)	8-11 Sec(V)	Pins Code	1-6 Pri (V)	8-11 Sec(V)
On Request	230	6	42161003	230	6	42161503	230	6	42164503	230	6
On Request	230	9	42161013	230	9	42161513	230	9	42164513	230	9
On Request	230	12	42161023	230	12	42161523	230	12	42164523	230	12
On Request	230	15	42161033	230	15	42161533	230	15	42164533	230	15
On Request	230	18	42161043	230	18	42161543	230	18	42164543	230	18
On Request	230	24	42161053	230	24	42161553	230	24	42164553	230	24
On Request	115	6	On Request	115	6	On Request	115	6	On Request	115	6
On Request	115	9	On Request	115	9	On Request	115	9	On Request	115	9
On Request	115	12	On Request	115	12	On Request	115	12	On Request	115	12
On Request	115	15	On Request	115	15	On Request	115	15	On Request	115	15
On Request	115	18	On Request	115	18	On Request	115	18	On Request	115	18
On Request	115	24	On Request	115	24	On Request	115	24	On Request	115	24
Pins Code	1-6 Pri (V)	7-8 11-12 2xSec (V)	Pins Code	1-6 Pri (V)	7-8 11-12 2xSec (V)	Pins Code	1-6 Pri (V)	7-8 11-12 2xSec (V)	Pins Code	1-6 Pri (V)	7-8 11-12 2xSec (V)
On Request	230	2x6	42161103	230	2x6	42161903	230	2x6	42165003	230	2x6
On Request	230	2x9	42161113	230	2x9	42162003	230	2x9	42165013	230	2x9
On Request	230	2x12	42161123	230	2x12	42162503	230	2x12	42165023	230	2x12
On Request	230	2x15	42161133	230	2x15	42163003	230	2x15	42165033	230	2x15
On Request	230	2x18	42161143	230	2x18	42163503	230	2x18	42165043	230	2x18
On Request	230	2x21	42161153	230	2x21	42164003	230	2x21	42165053	230	2x21
On Request	115	2x6	On Request	115	2x6	On Request	115	2x6	On Request	115	2x6
On Request	115		On Request	115		On Request	115		On Request	115	
On Request	115		On Request	115		On Request	115		On Request	115	
On Request	115	2x21	On Request	115	2x21	On Request	115	2x21	On Request	115	2x21

Dimensioni fisiche in mm / Physical dimensions in mm

Su richiesta primario fino a 600V secondario fino a 480V (solo marchio cURus UL+CSA) / On request primary up to 600V secondary up to 480V (only cURus UL+CSA mark)

Su richiesta solo marchio CE ed ENEC: codice XXXXXX2 / On request only CE and ENEC marks: code XXXXXX2

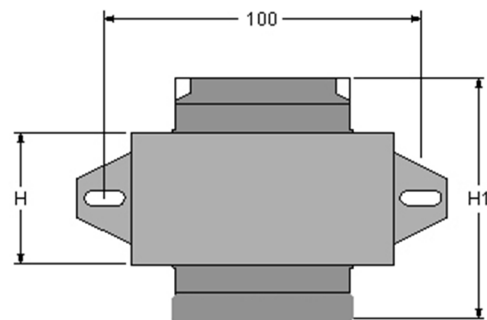


38VA H=21; H1=75mm

50VA H=28; H1=82mm

55VA H=30; H1=84mm

63VA H=35; H1=89mm



EI 84 38-108VA Faston



TRG EI84

Faston Transformers 38 –108VA

Dati tecnici / Technical data

Conformità norme EN 61558-UL 5085 / EN 61558-UL5085 approved

Marchio ENEC; classe B / ENEC mark; class B

Marchio cURus (UL+CSA); classe A / cURus mark; class A

Tensione di isolamento 3750 VAC / Insulation voltage 3750 VAC

Frequenza nominale 50/60 Hz / Nominal frequency 50/60 Hz

Temperatura ambiente 40 °C / Ambient temperature 40 °C

Conforme alla direttiva RoHS / RoHS conform

Grado di protezione IP00 / Degree of protection IP00

Rocchetto a doppia camera / Two chambers coilformer

Avvolgimenti in rame smaltato classe H / Class H enamelled copper wire coils

Vernice isolante / Finishing varnish

Test elettrici sul 100% della produzione / 100% tested production

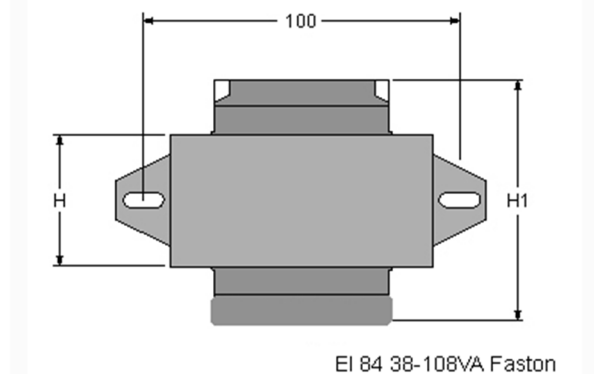
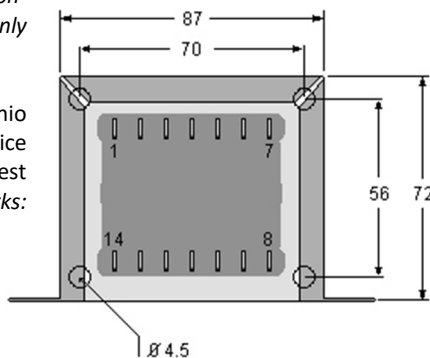


72VA EI 84/40			81VA EI 84/45			90VA EI 84/50			108VA EI 84/60		
H1=94mm - Weight 1.73Kg			H1=99mm - Weight 1.95Kg			H1=104mm - Weight 2,16Kg			H1=114mm - Weight 2.58Kg		
Pins Code	1-6 Pri (V)	8-11 Sec(V)	Pins Code	1-6 Pri (V)	8-11 Sec(V)	Pins Code	1-6 Pri (V)	8-11 Sec(V)	Pins Code	1-6 Pri (V)	8-11 Sec(V)
42165503	230	6	42169503	230	6	42170003	230	6	42171703	230	6
42165513	230	9	42169513	230	9	42170013	230	9	42171713	230	9
42165523	230	12	42169523	230	12	42170023	230	12	42171723	230	12
42165533	230	15	42169533	230	15	42170033	230	15	42171733	230	15
42165543	230	18	42169543	230	18	42170043	230	18	42171743	230	18
42165553	230	24	42169553	230	24	42170053	230	24	42171753	230	24
On Request	115	6	On Request	115	6	On Request	115	6	On Request	115	6
On Request	115	9	On Request	115	9	On Request	115	9	On Request	115	9
On Request	115	12	On Request	115	12	On Request	115	12	On Request	115	12
On Request	115	15	On Request	115	15	On Request	115	15	On Request	115	15
On Request	115	18	On Request	115	18	On Request	115	18	On Request	115	18
On Request	115	24	On Request	115	24	On Request	115	24	On Request	115	24
Pins Code	1-6 Pri (V)	7-8 11-12 2xSec (V)	Pins Code	1-6 Pri (V)	7-8 11-12 2xSec (V)	Pins Code	1-6 Pri (V)	7-8 11-12 2xSec (V)	Pins Code	1-6 Pri (V)	7-8 11-12 2xSec (V)
42166503	230	2x6	42169603	230	2x6	42170103	230	2x6	42171803	230	2x6
42167003	230	2x9	42169613	230	2x9	42170113	230	2x9	42171903	230	2x9
42167503	230	2x12	42169623	230	2x12	42170123	230	2x12	42172003	230	2x12
42168003	230	2x15	42169633	230	2x15	42170133	230	2x15	42172503	230	2x15
42168503	230	2x18	42169643	230	2x18	42170143	230	2x18	42173003	230	2x18
42169003	230	2x21	42169653	230	2x21	42170153	230	2x21	42173503	230	2x21
On Request	115	2x6	On Request	115	2x6	On Request	115	2x6	On Request	115	2x6
On Request	115		On Request	115		On Request	115		On Request	115	
On Request	115		On Request	115		On Request	115		On Request	115	
On Request	115	2x21	On Request	115	2x21	On Request	115	2x21	On Request	115	2x21

Dimensioni fisiche in mm / Physical dimensions in mm

Su richiesta primario fino a 600V secondario fino a 480V (solo marchio cURus UL+CSA) / On request primary up to 600V secondary up to 480V (only cURus UL+CSA mark)

Su richiesta solo marchio CE ed ENEC: codice XXXXXX2 / On request only CE and ENEC marks: code XXXXXX2



72VA H=40; H1=94mm
81VA H=45; H1=99mm
90VA H=50; H1=104mm
108VA H=60; H1=114mm

EI 84 38-108VA Faston

