

TRG EI75

PCB Transformers 32 – 52VA

Dati tecnici / Technical data

Conformità norme EN 61558-UL 5085 / EN 61558-UL5085 approved

Marchio ENEC; classe B / ENEC mark; class B

Marchio cURus (UL+CSA); classe A / cURus mark; class A

Tensione di isolamento 3750 VAC / Insulation voltage 3750 VAC

Frequenza nominale 50/60 Hz / Nominal frequency 50/60 Hz

Temperatura ambiente 40 °C / Ambient temperature 40 °C

Conforme alla direttiva RoHS / RoHS conform

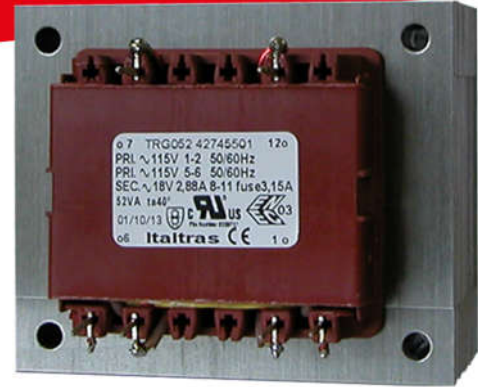
Grado di protezione IP00 / Degree of protection IP00

Rocchetto a doppia camera / Two chambers coilformer

Avvolgimenti in rame smaltato classe H / Class H enamelled copper wire coils

Vernice isolante / Finishing varnish

Test elettrici sul 100% della produzione / 100% tested production

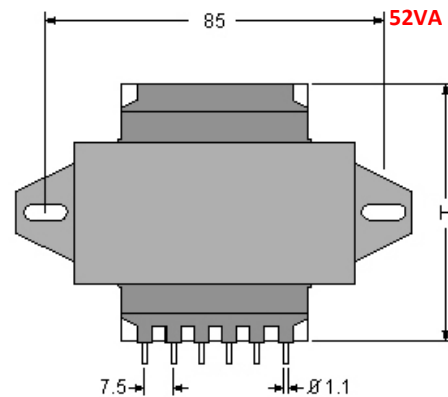
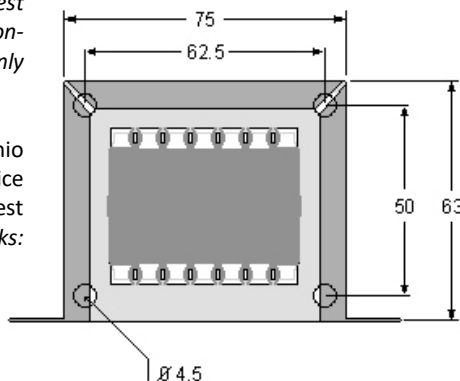


32VA EI 75/25 H=52,2mm - Weight 940gr			38VA EI 75/30 H=57,1mm - Weight 1.1Kg			45VA EI 75/35 H=62,2mm - Weight 1,25Kg			52VA EI 75/40 H=67,1mm - Weight 1,48Kg		
Pins Code	1-6 Pri (V)	8-11 Sec(V)	Pins Code	1-6 Pri (V)	8-11 Sec(V)	Pins Code	1-6 Pri (V)	8-11 Sec(V)	Pins Code	1-6 Pri (V)	8-11 Sec(V)
42145501	230	6	42150501	230	6	42155501	230	6	42160001	230	6
42145601	230	9	42150601	230	9	42155601	230	9	42160011	230	9
42145701	230	12	42150701	230	12	42155701	230	12	42160021	230	12
42145801	230	15	42150801	230	15	42155801	230	15	42160031	230	15
42145901	230	18	42150901	230	18	42155901	230	18	42160041	230	18
42146001	230	24	42151001	230	24	42156001	230	24	42160051	230	24
On Request	115	6	On Request	115	6	On Request	115	6	On Request	115	6
On Request	115	9	On Request	115	9	On Request	115	9	On Request	115	9
On Request	115	12	On Request	115	12	On Request	115	12	On Request	115	12
On Request	115	15	On Request	115	15	On Request	115	15	On Request	115	15
On Request	115	18	On Request	115	18	On Request	115	18	On Request	115	18
On Request	115	24	On Request	115	24	On Request	115	24	On Request	115	24
Pins Code	1-6 Pri (V)	7-8 11-12 2xSec (V)	Pins Code	1-6 Pri (V)	7-8 11-12 2xSec (V)	Pins Code	1-6 Pri (V)	7-8 11-12 2xSec (V)	Pins Code	1-6 Pri (V)	7-8 11-12 2xSec (V)
42146501	230	2x6	42151501	230	2x6	42156501	230	2x6	42160101	230	2x6
42147001	230	2x9	42152001	230	2x9	42157001	230	2x9	42160111	230	2x9
42147501	230	2x12	42152501	230	2x12	42157501	230	2x12	42160121	230	2x12
42148001	230	2x15	42153001	230	2x15	42158001	230	2x15	42160131	230	2x15
42148501	230	2x18	42153501	230	2x18	42158501	230	2x18	42160141	230	2x18
42149001	230	2x21	42154001	230	2x21	42159001	230	2x21	42160151	230	2x21
On Request	115	2x6	On Request	115	2x6	On Request	115	2x6	On Request	115	2x6
On Request	115		On Request	115		On Request	115		On Request	115	
On Request	115		On Request	115		On Request	115		On Request	115	
On Request	115	2x21	On Request	115	2x21	On Request	115	2x21	On Request	115	2x21

Dimensioni fisiche in mm / Physical dimensions in mm

Su richiesta primario fino a 600V secondario fino a 480V (solo marchio cURus UL+CSA) / On request primary up to 600V secondary up to 480V (only cURus UL+CSA mark)

Su richiesta solo marchio CE ed ENEC: codice XXXXXXX0 / On request only CE and ENEC marks: code XXXXXXX0



32VA H=52,2mm
38VA H=57,1mm
45VA H=62,2mm
52VA H=67,1mm

EI75 32-52VA



Via Costamagna 8/A - 12037 SALUZZO (Cn) - ITALY
Phone +39 0175 249400 / +39 0175 217215 - Fax +39 0175 249814

www.italtras.com italtras@italtras.com

Italtras®