

TRG EI75

Faston Transformers 32 – 52VA

Dati tecnici / Technical data

Conformità norme EN 61558-UL 5085 / EN 61558-UL5085 approved

Marchio ENEC; classe B / ENEC mark; class B

Marchio cURus (UL+CSA); classe A / cURus mark; class A

Tensione di isolamento 3750 VAC / Insulation voltage 3750 VAC

Frequenza nominale 50/60 Hz / Nominal frequency 50/60 Hz

Temperatura ambiente 40 °C / Ambient temperature 40 °C

Conforme alla direttiva RoHS / RoHS conform

Grado di protezione IP00 / Degree of protection IP00

Rocchetto a doppia camera / Two chambers coilformer

Avvolgimenti in rame smaltato classe H / Class H enamelled copper wire coils

Vernice isolante / Finishing varnish

Test elettrici sul 100% della produzione / 100% tested production

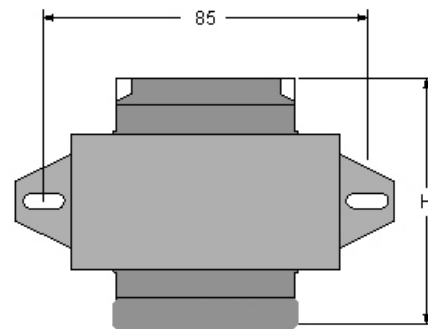
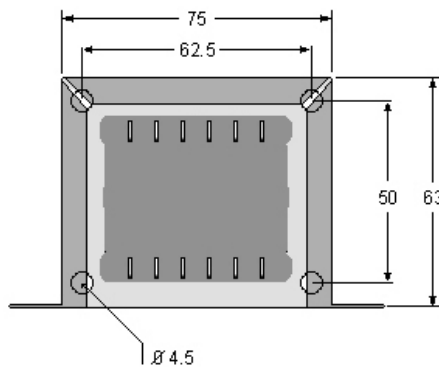


32VA EI 75/25 H=67mm - Weight 940gr			38VA EI 75/30 H=72mm - Weight 1.1Kg			45VA EI 75/35 H=77mm - Weight 1.25Kg			52VA EI 75/40 H=81mm - Weight 1.48Kg		
Pins Code	1-6 Pri (V)	8-11 Sec(V)	Pins Code	1-6 Pri (V)	8-11 Sec(V)	Pins Code	1-6 Pri (V)	8-11 Sec(V)	Pins Code	1-6 Pri (V)	8-11 Sec(V)
42145503	230	6	42150503	230	6	42155503	230	6	42160003	230	6
42145603	230	9	42150603	230	9	42155603	230	9	42160013	230	9
42145703	230	12	42150703	230	12	42155703	230	12	42160023	230	12
42145803	230	15	42150803	230	15	42155803	230	15	42160033	230	15
42145903	230	18	42150903	230	18	42155903	230	18	42160043	230	18
42146003	230	24	42151003	230	24	42156003	230	24	42160053	230	24
On Request	115	6	On Request	115	6	On Request	115	6	On Request	115	6
On Request	115	9	On Request	115	9	On Request	115	9	On Request	115	9
On Request	115	12	On Request	115	12	On Request	115	12	On Request	115	12
On Request	115	15	On Request	115	15	On Request	115	15	On Request	115	15
On Request	115	18	On Request	115	18	On Request	115	18	On Request	115	18
On Request	115	24	On Request	115	24	On Request	115	24	On Request	115	24
Pins Code	1-6 Pri (V)	7-8 11-12 2xSec (V)	Pins Code	1-6 Pri (V)	7-8 11-12 2xSec (V)	Pins Code	1-6 Pri (V)	7-8 11-12 2xSec (V)	Pins Code	1-6 Pri (V)	7-8 11-12 2xSec (V)
42146503	230	2x6	42151503	230	2x6	42156503	230	2x6	42160103	230	2x6
42147003	230	2x9	42152003	230	2x9	42157003	230	2x9	42160113	230	2x9
42147503	230	2x12	42152503	230	2x12	42157503	230	2x12	42160123	230	2x12
42148003	230	2x15	42153003	230	2x15	42158003	230	2x15	42160133	230	2x15
42148503	230	2x18	42153503	230	2x18	42158503	230	2x18	42160143	230	2x18
42149003	230	2x21	42154003	230	2x21	42159003	230	2x21	42160153	230	2x21
On Request	115	2x6	On Request	115	2x6	On Request	115	2x6	On Request	115	2x6
On Request	115		On Request	115		On Request	115		On Request	115	
On Request	115		On Request	115		On Request	115		On Request	115	
On Request	115	2x21	On Request	115	2x21	On Request	115	2x21	On Request	115	2x21

Dimensioni fisiche in mm / Physical dimensions in mm

Su richiesta primario fino a 600V secondario fino a 480V (solo marchio cURus UL+CSA) / On request primary up to 600V secondary up to 480V (only cURus UL+CSA mark)

Su richiesta solo marchio CE ed ENEC: codice XXXXXX2 / On request only CE and ENEC marks: code XXXXXX2



EI75 32-52VA Faston

32VA H=67mm
38VA H=72mm
45VA H=77mm
52VA H=81mm



Via Costamagna 8/A - 12037 SALUZZO (Cn) - ITALY
Phone +39 0175 249400 / +39 0175 217215 - Fax +39 0175 249814

www.italtras.com italtras@italtras.com

Italtras