

# TRG EI66

## PCB Transformers 20 – 30VA

### Dati tecnici / Technical data

Conformità norme EN 61558-UL 5085 / EN 61558-UL5085 approved

Marchio ENEC; classe B / ENEC mark; class B

Marchio cURus (UL+CSA); classe A / cURus mark; class A

Tensione di isolamento 3750 VAC / Insulation voltage 3750 VAC

Frequenza nominale 50/60 Hz / Nominal frequency 50/60 Hz

Temperatura ambiente 40 °C / Ambient temperature 40 °C

Conforme alla direttiva RoHS / RoHS conform

Grado di protezione IP00 / Degree of protection IP00

Rocchetto a doppia camera / Two chambers coilformer

Avvolgimenti in rame smaltato classe H / Class H enamelled copper wire coils

Vernice isolante / Finishing varnish

Test elettrici sul 100% della produzione / 100% tested production

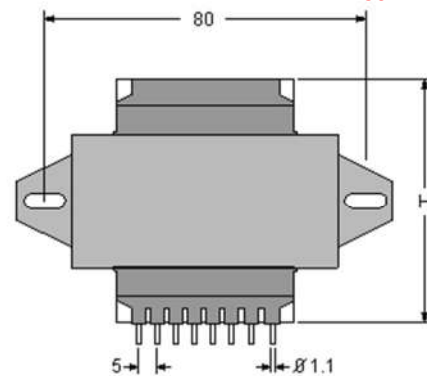
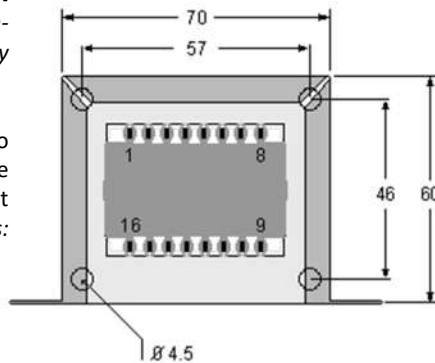


20VA EI 66/23				22VA EI 66/25				26VA EI 66/30				30VA EI 66/35			
H=49,9mm - Weight 623gr				H=52,9mm - Weight 685gr				H=57,9mm - Weight 920gr				H=62,9mm - Weight 1Kg			
Pins Code	1-8 Pri (V)	10-15 Sec(V)		Pins Code	1-8 Pri (V)	10-15 Sec(V)		Pins Code	1-8 Pri (V)	10-15 Sec(V)		Pins Code	1-8 Pri (V)	10-15 Sec(V)	
42144101	230	6		42144301	230	6		42144501	230	6		42144701	230	6	
42144111	230	9		42144311	230	9		42144511	230	9		42144711	230	9	
42144121	230	12		42144321	230	12		42144521	230	12		42144721	230	12	
42144131	230	15		42144331	230	15		42144531	230	15		42144731	230	15	
42144141	230	18		42144341	230	18		42144541	230	18		42144741	230	18	
42144151	230	24		42144351	230	24		42144551	230	24		42144751	230	24	
On request	115	6		On request	115	6		On request	115	6		On request	115	6	
On request	115	9		On request	115	9		On request	115	9		On request	115	9	
On request	115	12		On request	115	12		On request	115	12		On request	115	12	
On request	115	15		On request	115	15		On request	115	15		On request	115	15	
On request	115	18		On request	115	18		On request	115	18		On request	115	18	
On request	115	24		On request	115	24		On request	115	24		On request	115	24	
Pins Code	1-8 Pri (V)	9-10 15-16 2xSec (V)		Pins Code	1-8 Pri (V)	9-10 15-16 2xSec (V)		Pins Code	1-8 Pri (V)	9-10 15-16 2xSec (V)		Pins Code	1-8 Pri (V)	9-10 15-16 2xSec (V)	
42144201	230	2x6		42144401	230	2x6		42144601	230	2x6		42144801	230	2x6	
42144211	230	2x9		42144411	230	2x9		42144611	230	2x9		42144811	230	2x9	
42144221	230	2x12		42144421	230	2x12		42144621	230	2x12		42144821	230	2x12	
42144231	230	2x15		42144431	230	2x15		42144631	230	2x15		42144831	230	2x15	
42144241	230	2x18		42144441	230	2x18		42144641	230	2x18		42144841	230	2x18	
42144251	230	2x21		42144451	230	2x21		42144651	230	2x21		42144851	230	2x21	
On request	115	2x6		On request	115	2x6		On request	115	2x6		On request	115	2x6	
On request	115			On request	115			On request	115			On request	115		
On request	115			On request	115			On request	115			On request	115		
On request	115	2x21		On request	115	2x21		On request	115	2x21		On request	115	2x21	

### Dimensioni fisiche in mm / Physical dimensions in mm

Su richiesta primario fino a 600V secondario fino a 480V (solo marchio cURus UL+CSA) / On request primary up to 600V secondary up to 480V (only cURus UL+CSA mark)

Su richiesta solo marchio CE ed ENEC: codice XXXXXXX0 / On request only CE and ENEC marks: code XXXXXXX0



EI 66 16-30VA

20VA H=49,9mm  
22VA H=52,9mm  
26VA H=57,9mm  
30VA H=62,9mm



Via Costamagna 8/A – 12037 SALUZZO (Cn) – ITALY  
Phone +39 0175 249400 / +39 0175 217215 – Fax +39 0175 249814

www.italtras.com italtas@italtras.com

**Italtas**