

TRG EI48

PCB Transformers 5.5 - 8.5VA

Dati tecnici / Technical data

Conformità norme EN 61558-UL 5085 / EN 61558-UL5085 approved

Marchio ENEC; classe B / ENEC mark; class B

Marchio cURus (UL+CSA); classe A / cURus mark; class A

Tensione di isolamento 3750 VAC / Insulation voltage 3750 VAC

Frequenza nominale 50/60 Hz / Nominal frequency 50/60 Hz

Temperatura ambiente 40 °C / Ambient temperature 40 °C

Conforme alla direttiva RoHS / RoHS conform

Grado di protezione IP00 / Degree of protection IP00

Rocchetto a doppia camera / Two chambers coilformer

Avvolgimenti in rame smaltato classe H / Class H enamelled copper wire coils

Vernice isolante / Finishing varnish

Test elettrici sul 100% della produzione / 100% tested production



5.5VA EI 48/16		
H=34,8mm - Weight 250gr		
Pins Code	1-6 Pri (V)	8-11 Sec(V)
42121901	230	6
42122001	230	9
42122101	230	12
42122201	230	15
42122301	230	18
42122401	230	24
On request	115	6
On request	115	9
On request	115	12
On request	115	15
On request	115	18
On request	115	24
Pins Code	1-6 Pri (V)	7-8 11-12 2xSec (V)
42122501	230	2x6
42123001	230	2x9
42123501	230	2x12
42124001	230	2x15
42124501	230	2x18
42125001	230	2x21
On request	115	2x6
On request	115	
On request	115	
On request	115	2x21

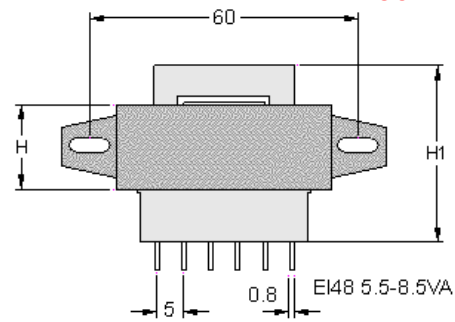
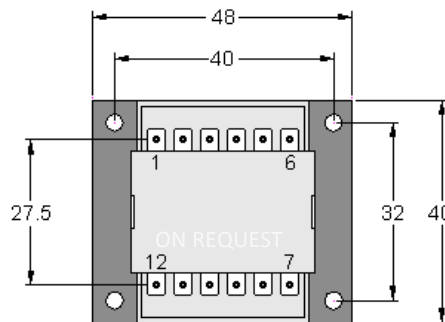
7VA EI 48/20			
H=38.5mm - Weight 315gr			
Pins Code	1-6 Pri (V)	8-11 Sec(V)	
42125101	230	6	
42125201	230	9	
42125301	230	12	
42125401	230	15	
42125501	230	18	
42125601	230	24	
On request	115	6	
On request	115	9	
On request	115	12	
On request	115	15	
On request	115	18	
On request	115	24	
Pins Code	1-6 Pri (V)	7-8 11-12 2xSec (V)	
42125701	230	2x6	
42125801	230	2x9	
42125901	230	2x12	
42126001	230	2x15	
42126101	230	2x18	
42126201	230	2x21	
On request	115	2x6	
On request	115		
On request	115		
On request	115	2x21	

8.5VA EI 48/25			
H=43.5mm - Weight 370gr			
Pins Code	1-6 Pri (V)	8-11 Sec(V)	
42126901	230	6	
42127001	230	9	
42127101	230	12	
42127201	230	15	
42127301	230	18	
42127401	230	24	
On request	115	6	
On request	115	9	
On request	115	12	
On request	115	15	
On request	115	18	
On request	115	24	
Pins Code	1-6 Pri (V)	7-8 11-12 2xSec (V)	
42127501	230	2x6	
42128001	230	2x9	
42128501	230	2x12	
42129001	230	2x15	
42129501	230	2x18	
42129601	230	2x21	
On request	115	2x6	
On request	115		
On request	115		
On request	115	2x21	

Dimensioni fisiche in mm / Physical dimensions in mm

Su richiesta primario fino a 600V secondario fino a 480V (solo marchio cURus UL+CSA) / On request primary up to 600V secondary up to 480V (only cURus UL+CSA mark)

Su richiesta solo marchio CE ed ENEC: codice XXXXXXXX / On request only CE and ENEC marks: code XXXXXXXX



5.5VA H=34,8mm

7.0VA H=38,5mm

8.5VA H=43,5mm



Via Costamagna 8/A - 12037 SALUZZO (Cn) - ITALY
Phone +39 0175 249400 / +39 0175 217215 - Fax +39 0175 249814

www.italtras.com italtras@italtras.com

Italtras