

TRG EI120

Rack Transformers 185 –420VA

Dati tecnici / Technical data

Conformità norme EN 61558-UL 5085 / EN 61558-UL5085 approved

Marchio ENEC; classe B / ENEC mark; class B

Marchio cURus (UL+CSA); classe A / cURus mark; class A

Tensione di isolamento 3750 VAC / Insulation voltage 3750 VAC

Frequenza nominale 50/60 Hz / Nominal frequency 50/60 Hz

Temperatura ambiente 40 °C / Ambient temperature 40 °C

Conforme alla direttiva RoHS / RoHS conform

Grado di protezione IP00 / Degree of protection IP00

Rocchetto a doppia camera / Two chambers coilformer

Avvolgimenti in rame smaltato classe H / Class H enamelled copper wire coils

Vernice isolante / Finishing varnish

Test elettrici sul 100% della produzione / 100% tested production

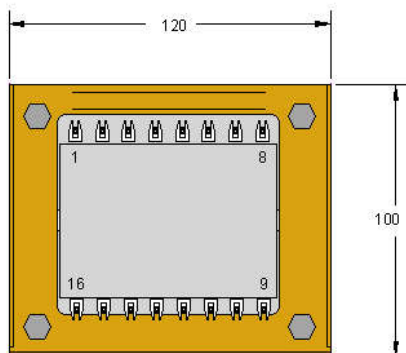


185VA EI 120/35 H1=85mm - Weight 3.6Kg				210VA EI 120/40 H1=90mm - Weight 4Kg				240VA EI 120/45 H1=95mm - Weight 4,3Kg				265VA EI 120/50 H1=100mm - Weight 4,8Kg			
Pins Code	1-8 Pri (V)	10-15 Sec(V)		Pins Code	1-8 Pri (V)	10-15 Sec(V)		Pins Code	1-8 Pri (V)	10-15 Sec(V)		Pins Code	1-8 Pri (V)	10-15 Sec(V)	
42180001	230	6		42187011	230	6		42189001	230	6		42193101	230	6	
42180101	230	9		42187101	230	9		42189101	230	9		42193111	230	9	
42180201	230	12		42187201	230	12		42189201	230	12		42193121	230	12	
42180301	230	15		42187301	230	15		42189301	230	15		42193131	230	15	
42180401	230	18		42187401	230	18		42189401	230	18		42193141	230	18	
42180501	230	24		42187501	230	24		42189501	230	24		42193151	230	24	
On Request	115	6		On Request	115	6		On Request	115	6		On Request	115	6	
On Request	115	9		On Request	115	9		On Request	115	9		On Request	115	9	
On Request	115	12		On Request	115	12		On Request	115	12		On Request	115	12	
On Request	115	15		On Request	115	15		On Request	115	15		On Request	115	15	
On Request	115	18		On Request	115	18		On Request	115	18		On Request	115	18	
On Request	115	24		On Request	115	24		On Request	115	24		On Request	115	24	
Pins Code	1-8 Pri (V)	9-10 15-16 2xSec (V)		Pins Code	1-8 Pri (V)	9-10 15-16 2xSec (V)		Pins Code	1-8 Pri (V)	9-10 15-16 2xSec (V)		Pins Code	1-8 Pri (V)	9-10 15-16 2xSec (V)	
42181001	230	2x6		42185501	230	2x6		42190501	230	2x6		42193501	230	2x6	
42181501	230	2x9		42186001	230	2x9		42191001	230	2x9		42193511	230	2x9	
42182001	230	2x12		42186501	230	2x12		42191501	230	2x12		42193521	230	2x12	
42182501	230	2x15		42187001	230	2x15		42192001	230	2x15		42193531	230	2x15	
42183001	230	2x18		42187511	230	2x18		42192501	230	2x18		42193541	230	2x18	
42183501	230	2x21		42188001	230	2x21		42193001	230	2x21		42193551	230	2x21	
On Request	115	2x6		On Request	115	2x6		On Request	115	2x6		On Request	115	2x6	
On Request	115			On Request	115			On Request	115			On Request	115		
On Request	115			On Request	115			On Request	115			On Request	115		
On Request	115	2x21		On Request	115	2x21		On Request	115	2x21		On Request	115	2x21	

Dimensioni fisiche in mm / Physical dimensions in mm

Su richiesta primario fino a 600V secondario fino a 480V (solo marchio cURus UL+CSA) / On request primary up to 600V secondary up to 480V (only cURus UL+CSA mark)

Su richiesta solo marchio CE ed ENEC: codice XXXXXXX0 / On request only CE and ENEC marks: code XXXXXXX0

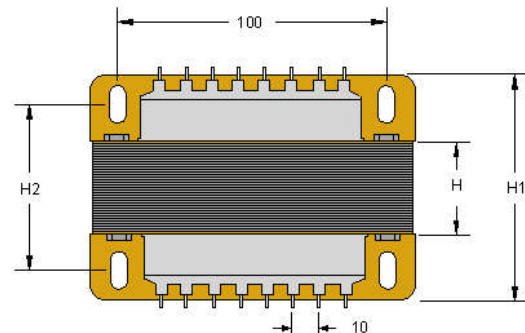


185VA H=35; H1=85; H2=65mm

210VA H=40; H1=90; H2=70mm

240VA H=45; H1=95; H2=75mm

265VA H=50; H1=100; H2=80mm



EI 120 185-420VA



TRG EI120

Rack Transformers 185 –420VA

Dati tecnici / Technical data

Conformità norme EN 61558-UL 5085 / EN 61558-UL5085 approved

Marchio ENEC; classe B / ENEC mark; class B

Marchio cURus (UL+CSA); classe A / cURus mark; class A

Tensione di isolamento 3750 VAC / Insulation voltage 3750 VAC

Frequenza nominale 50/60 Hz / Nominal frequency 50/60 Hz

Temperatura ambiente 40 °C / Ambient temperature 40 °C

Conforme alla direttiva RoHS / RoHS conform

Grado di protezione IP00 / Degree of protection IP00

Rocchetto a doppia camera / Two chambers coilformer

Avvolgimenti in rame smaltato classe H / Class H enamelled copper wire coils

Vernice isolante / Finishing varnish

Test elettrici sul 100% della produzione / 100% tested production

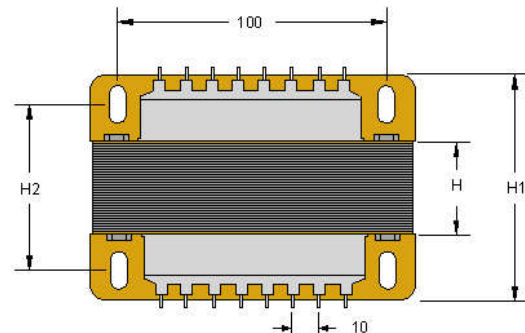
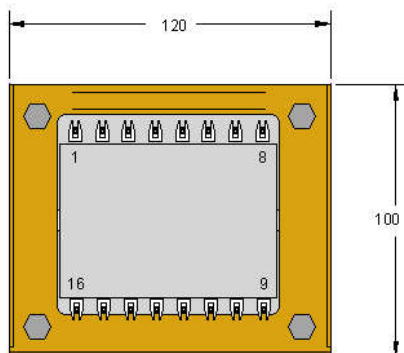


290VA EI 120/55				315VA EI 120/60				340VA EI 120/65				370VA EI 120/70			
H1=105mm - Weight 5.2Kg				H1=110mm - Weight 5.7Kg				H1=115mm - Weight 6,0Kg				H1=120mm - Weight 6,4Kg			
Pins Code	1-8 Pri (V)	10-15 Sec(V)		Pins Code	1-8 Pri (V)	10-15 Sec(V)		Pins Code	1-8 Pri (V)	10-15 Sec(V)		Pins Code	1-8 Pri (V)	10-15 Sec(V)	
42194001	230	6		42195001	230	6		42196001	230	6		42198101	230	6	
42194011	230	9		42195011	230	9		42196011	230	9		42198111	230	9	
42194021	230	12		42195021	230	12		42196021	230	12		42198121	230	12	
42194031	230	15		42195031	230	15		42196031	230	15		42198131	230	15	
42194041	230	18		42195041	230	18		42196041	230	18		42198141	230	18	
42194051	230	24		42195051	230	24		42196051	230	24		42198151	230	24	
On Request	115	6		On Request	115	6		On Request	115	6		On Request	115	6	
On Request	115	9		On Request	115	9		On Request	115	9		On Request	115	9	
On Request	115	12		On Request	115	12		On Request	115	12		On Request	115	12	
On Request	115	15		On Request	115	15		On Request	115	15		On Request	115	15	
On Request	115	18		On Request	115	18		On Request	115	18		On Request	115	18	
On Request	115	24		On Request	115	24		On Request	115	24		On Request	115	24	
Pins Code	1-8 Pri (V)	9-10 15-16 2xSec (V)		Pins Code	1-8 Pri (V)	9-10 15-16 2xSec (V)		Pins Code	1-8 Pri (V)	9-10 15-16 2xSec (V)		Pins Code	1-8 Pri (V)	9-10 15-16 2xSec (V)	
42194501	230	2x6		42195501	230	2x6		42196301	230	2x6		42198201	230	2x6	
42194511	230	2x9		42195511	230	2x9		42196401	230	2x9		42198211	230	2x9	
42194521	230	2x12		42195521	230	2x12		42196501	230	2x12		42198221	230	2x12	
42194531	230	2x15		42195531	230	2x15		42197001	230	2x15		42198231	230	2x15	
42194541	230	2x18		42195541	230	2x18		42197501	230	2x18		42198241	230	2x18	
42194551	230	2x21		42195551	230	2x21		42198001	230	2x21		42198251	230	2x21	
On Request	115	2x6		On Request	115	2x6		On Request	115	2x6		On Request	115	2x6	
On Request	115			On Request	115			On Request	115			On Request	115		
On Request	115			On Request	115			On Request	115			On Request	115		
On Request	115	2x21		On Request	115	2x21		On Request	115	2x21		On Request	115	2x21	

Dimensioni fisiche in mm / Physical dimensions in mm

Su richiesta primario fino a 600V secondario fino a 480V (solo marchio cURus UL+CSA) / On request primary up to 600V secondary up to 480V (only cURus UL+CSA mark)

Su richiesta solo marchio CE ed ENEC: codice XXXXXXX0 / On request only CE and ENEC marks: code XXXXXXX0



EI 120 185-420VA



TRG EI120

Rack Transformers 185 –420VA

Dati tecnici / Technical data

Conformità norme EN 61558-UL 5085 / EN 61558-UL5085 approved

Marchio ENEC; classe B / ENEC mark; class B

Marchio cURus (UL+CSA); classe A / cURus mark; class A

Tensione di isolamento 3750 VAC / Insulation voltage 3750 VAC

Frequenza nominale 50/60 Hz / Nominal frequency 50/60 Hz

Temperatura ambiente 40 °C / Ambient temperature 40 °C

Conforme alla direttiva RoHS / RoHS conform

Grado di protezione IP00 / Degree of protection IP00

Rocchetto a doppia camera / Two chambers coilformer

Avvolgimenti in rame smaltato classe H / Class H enamelled copper wire coils

Vernice isolante / Finishing varnish

Test elettrici sul 100% della produzione / 100% tested production



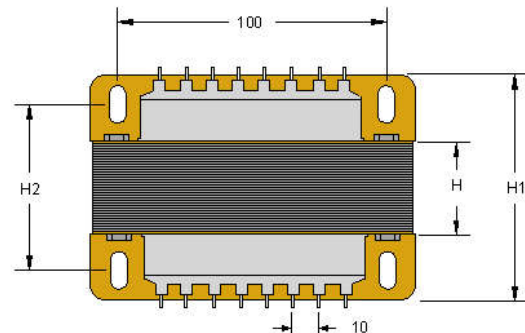
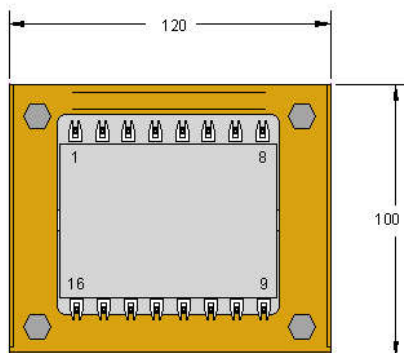
390VA EI 120/75			
H1=125mm - Weight 6.9Kg			
Pins Code	1-8 Pri (V)	10-15 Sec(V)	
42198501	230	6	
42198511	230	9	
42198521	230	12	
42198531	230	15	
42198541	230	18	
42198551	230	24	
On Request	115	6	
On Request	115	9	
On Request	115	12	
On Request	115	15	
On Request	115	18	
On Request	115	24	
Pins Code	1-8 Pri (V)	9-10 15-16 2xSec (V)	
42198601	230	2x6	
42198611	230	2x9	
42198621	230	2x12	
42198631	230	2x15	
42198641	230	2x18	
42198651	230	2x21	
On Request	115	2x6	
On Request	115		
On Request	115		
On Request	115	2x21	

420VA EI 120/80			
H1=130mm - Weight 7.0Kg			
Pins Code	1-8 Pri (V)	10-15 Sec(V)	
42199001	230	6	
42199011	230	9	
42199021	230	12	
42199031	230	15	
42199041	230	18	
42199051	230	24	
On Request	115	6	
On Request	115	9	
On Request	115	12	
On Request	115	15	
On Request	115	18	
On Request	115	24	
Pins Code	1-8 Pri (V)	9-10 15-16 2xSec (V)	
42199501	230	2x6	
42199511	230	2x9	
42199521	230	2x12	
42199531	230	2x15	
42199541	230	2x18	
42199551	230	2x21	
On Request	115	2x6	
On Request	115		
On Request	115		
On Request	115	2x21	

Dimensioni fisiche in mm / Physical dimensions in mm

Su richiesta primario fino a 600V secondario fino a 480V (solo marchio cURus UL+CSA) / On request primary up to 600V secondary up to 480V (only cURus UL+CSA mark)

Su richiesta solo marchio CE ed ENEC: codice XXXXXXX0 / On request only CE and ENEC marks: code XXXXXXX0



390VA H=75; H1=125; H2=105mm
420VA H=80; H1=130; H2=110mm

EI 120 185-420VA

